



A LEADING MANUFACTURER & EXPORTER OF  
**CASTORS & TROLLEY WHEELS**

# RXH SERIES



Heavy Duty Pressed Steel Castors having double ball bearing in Swivel head with thick threaded King Pin to avoid dust. Fitting available in Plate , Stem ( Round/ Square) in Chrome Plated/Powder Coated /Zinc Plating.

Available in Various sizes / Type : Fix / Swivel & Swivel with Brake.

Swivel with Brake manufactured in Peddle Lock ( Back Side ) & Front Lock.

Castors having Iron Bush or double sealed ball bearings .

## RXH SERIES - SWIVEL

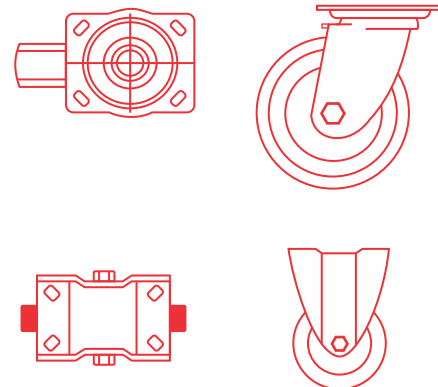
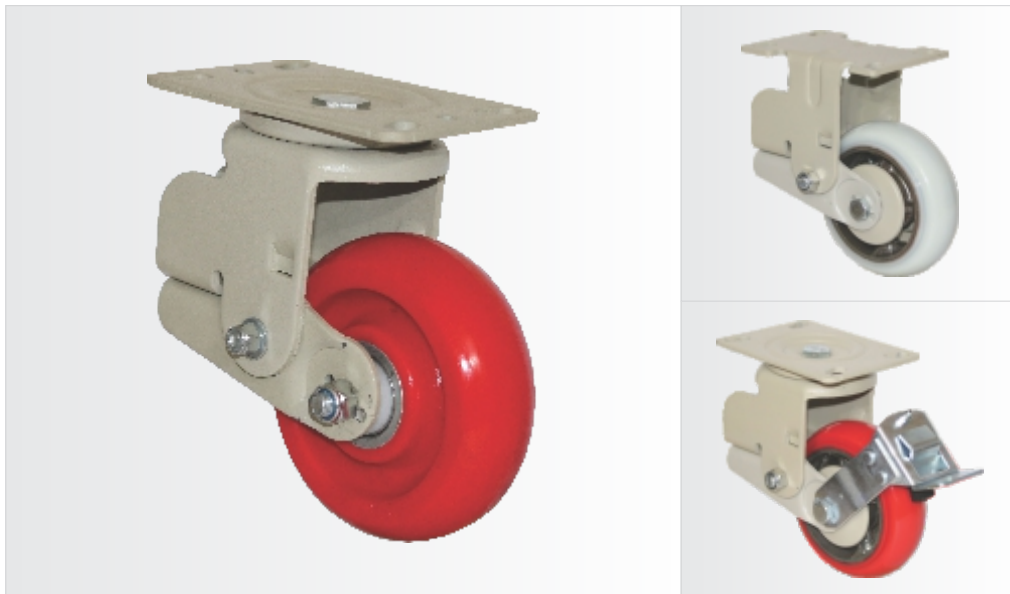
WHEEL DIA	WIDTH (MM)	TOTAL HEIGHT	PLATE SIZE	HOLE DISTANCE	LOAD CAPACITY	SHEET THICKNESS
100	50	152 MM	133 X 118 MM	105 X 75 MM	200 - 250 KGS	4 + 5 MM
150	50	187 MM	133 X 118 MM	105 X 75 MM	200 - 250 KGS	4 + 5 MM
200	50	248MM	133 X 118 MM	105 X 75 MM	200 - 250 KGS	4 + 5 MM

## RXH SERIES - FIX

WHEEL DIA	WIDTH (MM)	TOTAL HEIGHT	PLATE SIZE	HOLE DISTANCE	LOAD CAPACITY	SHEET THICKNESS
100	50	152 MM	150 X 90 MM	115 X 55 MM	200 - 250 KGS	4 MM
150	50	187 MM	150 X 90 MM	115 X 55 MM	200 - 250 KGS	4 MM
200	50	248 MM	150 X 90 MM	115 X 55 MM	200 - 250 KGS	4 MM

**Available in Various Sizes / type :- Fix / Swivel & Swivel with Brake.**





Heavy Pressed Steel Spring –Loaded Castors to absorb the shocks/ vibrations during loadings with controlled impact. Top plate & bracket of our Castors are made out of thick sheets to provide strength & ensure that the load is evenly distributed over wheel & spring assembly.

Plate having double ball bearing. Swivel bracket bolted with proper King-Pin to resist the shock loads /Vibrations. Castors fitted with double ball bearings & Axle bolted.

## SPC SERIES - SWIVEL

WHEEL DIA	WIDTH (MM)	TOTAL HEIGHT	PLATE SIZE	HOLE DISTANCE	LOAD CAPACITY	SHEET THICKNESS
100	50	200 MM	160 X 120 MM	130 X 80 MM	250 - 350 KGS	5 MM
150	50	213 MM	160 X 120 MM	130 X 80 MM	250 - 350 KGS	5 MM
200	50	257 MM	160 X 120 MM	130 X 80 MM	250 - 350 KGS	5 MM

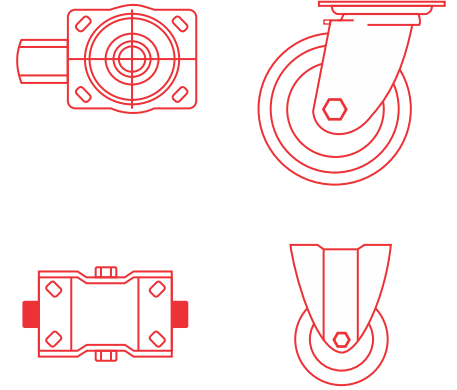
## SPC SERIES - FIX

WHEEL DIA	WIDTH (MM)	TOTAL HEIGHT	PLATE SIZE	HOLE DISTANCE	LOAD CAPACITY	SHEET THICKNESS
100	50	200 MM	160 X 120 MM	130 X 80 MM	250 - 350 KGS	5 MM
150	50	213 MM	160 X 120 MM	130 X 80 MM	250 - 350 KGS	5 MM
200	50	257 MM	160 X 120 MM	130 X 80 MM	250 - 350 KGS	5 MM

**Available in:** Powder Coating / Zinc Plated – Yellow passivated finish.



# TTB SERIES



While manufactured your Product , all require a clean & Proper Platform of floor which indeed is a challenge to minimize the impact Cost of Manufacturing / Maintenance. To achieve the target & Quality of your Product we at **R&I** has introduced TTB Series of Castors which are Long Lasting & Maintenance free. Our Product are specially Designed to Carry Heavy Loads with no impact on Floor/Useance.

We used 6 mm Bracket & 8 mm Plate thickness & also Center Bolt is Forged in EN-8 Steel with Strong/Proper welding to reduce Re-work after using. Swivel head made by us with Taper Roller thrust Ball Bearing for easy Lubrication/use. We Manufacture wide Range of Wheels to roll smoothly. Swivel & Swivel with Brake available in Powder Coating & Zinc Plating.

## TTB SERIES - SWIVEL

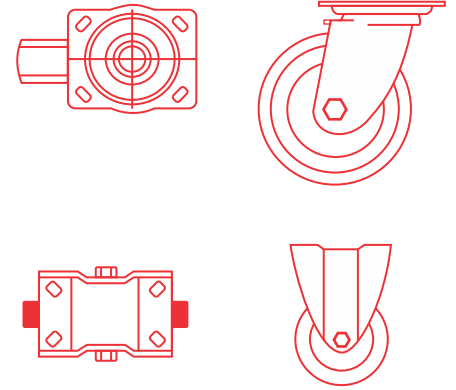
WHEEL DIA	WIDTH (MM)	TOTAL HEIGHT	PLATE SIZE	HOLE DISTANCE	LOAD CAPACITY	SHEET THICKNESS
100	50	175 MM	150 X 113 MM	115 X 75 MM	300 - 600 KGS	6 + 8 MM
150	50	207 MM	150 X 113 MM	115 X 75 MM	300 - 600 KGS	6 + 8 MM
200	50	260 MM	150 X 113 MM	115 X 75 MM	300 - 750 KGS	6 + 8 MM
250	50	313 MM	150 X 113 MM	115 X 75 MM	300 - 750 KGS	6 + 8 MM

## TTB SERIES - FIX

WHEEL DIA	WIDTH (MM)	TOTAL HEIGHT	PLATE SIZE	HOLE DISTANCE	LOAD CAPACITY	SHEET THICKNESS
100	50	175 MM	150 X 90 MM	115 X 60 MM	300 - 600 KGS	5 MM
150	50	207 MM	150 X 90 MM	115 X 60 MM	300 - 600 KGS	5 MM
200	50	260 MM	150 X 90 MM	115 X 60 MM	300 - 750 KGS	5 MM
250	50	313 MM	150 X 90 MM	115 X 60 MM	300 - 750 KGS	5 MM

**Available in Various Sizes / type :- Fix / Swivel & Swivel with Brake.**





Medium Duty Pressed Steel Castors having double ball bearing in Swivel head with thick threaded King Pin to avoid dust. Fitting available in Plate, Stem ( Round/ Square) in Chrome Plated/Powder Coated /Zinc Plating.

Available in Various sizes / Type : Fix / Swivel & Swivel with Brake.

Swivel with Brake manufactured as Front Lock ( ON/OFF).

Castors having Iron Bush or double sealed ball bearings .

MEV SERIES - SWIVEL						
WHEEL DIA	WIDTH (MM)	TOTAL HEIGHT	PLATE SIZE	HOLE DISTANCE	LOAD CAPACITY	SHEET THICKNESS
100	50	145 MM	133 X 103 MM	105 X 75 MM	150- 175 KGS	3 + 4 MM
150	50	193 MM	133 X 103 MM	105 X 75 MM	150- 175 KGS	3 + 4 MM
200	50	247 MM	133 X 103 MM	105 X 75 MM	150- 175 KGS	3 + 4 MM

MEV SERIES - FIX						
WHEEL DIA	WIDTH (MM)	TOTAL HEIGHT	PLATE SIZE	HOLE DISTANCE	LOAD CAPACITY	SHEET THICKNESS
100	50	145 MM	133 X 103 MM	105 X 75 MM	150- 175 KGS	3 MM
150	50	193 MM	133 X 103 MM	105 X 75 MM	150- 175 KGS	3 MM
200	50	247 MM	133 X 103 MM	105 X 75 MM	150- 175 KGS	3 MM

**Available in Various Sizes / type :- Fix / Swivel & Swivel with Brake.**



# MSI SERIES



Quality is Main Essence of our Product & Motto.

To move Ahead your Business, We manufacture Series of Castor Wheels in Medium Duty Fabricated Steel Castors with Double Ball Bearings. Fitting available in Plate & Pipe with Zinc & Powder Coating / as per requirement.

## MSI SERIES - SWIVEL

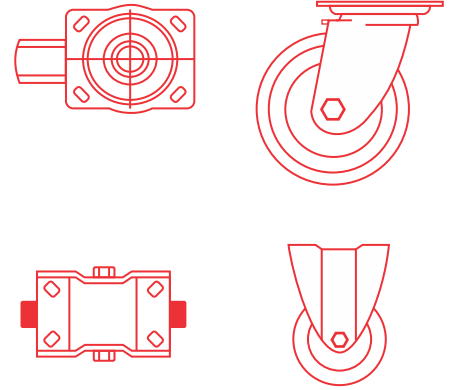
WHEEL DIA	WIDTH (MM)	TOTAL HEIGHT	PLATE SIZE	HOLE DISTANCE	LOAD CAPACITY	SHEET THICKNESS
100	50	142 MM	116 X 100 MM	85 X 70 MM	200 - 300 KGS	5 MM
150	50	192 MM	116 X 100 MM	85 X 70 MM	200 - 300 KGS	5 MM
200	50	242 MM	116 X 100 MM	85 X 70 MM	200 - 300 KGS	5 MM

## MSI SERIES - FIX

WHEEL DIA	WIDTH (MM)	TOTAL HEIGHT	PLATE SIZE	HOLE DISTANCE	LOAD CAPACITY	SHEET THICKNESS
100	50	142 MM	116 X 100 MM	85 X 70 MM	200 - 300 KGS	5 MM
150	50	192 MM	116 X 100 MM	85 X 70 MM	200 - 300 KGS	5 MM
200	50	242 MM	116 X 100 MM	85 X 70 MM	200 - 300 KGS	5 MM

**Available in Various Sizes / type :- Fix / Swivel & Swivel with Brake.**





As Forged Steel Castors, ball over the untempered racing of the Castor head are to be in proper functions, for this, we manufacture the series to avoid racing wear-off. Our Castors have bearings which can be replaced at the user end resulting major saving of replacement.

## FORGED SERIES - SWIVEL

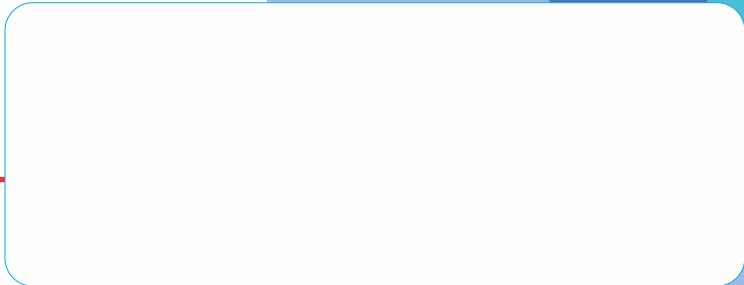
WHEEL DIA	WIDTH (MM)	TOTAL HEIGHT	PLATE SIZE	HOLE DISTANCE	LOAD CAPACITY	SHEET THICKNESS
100	50	157 MM	150 X 110 MM	115 X 70 MM	250 - 350 KGS	6 + 8 MM
150	50	203 MM	150 X 110 MM	115 X 70 MM	250 - 350 KGS	6 + 8 MM
200	50	248 MM	150 X 110 MM	115 X 70 MM	250 - 350 KGS	6 + 8 MM

## FORGED SERIES - FIX

WHEEL DIA	WIDTH (MM)	TOTAL HEIGHT	PLATE SIZE	HOLE DISTANCE	LOAD CAPACITY	SHEET THICKNESS
100	50	157 MM	150 X 110 MM	115 X 70 MM	250 - 350 KGS	4 MM
150	50	203 MM	150 X 110 MM	115 X 70 MM	250 - 350 KGS	4 MM
200	50	248 MM	150 X 110 MM	115 X 70 MM	250 - 350 KGS	4 MM

**Available in Various Sizes / type :- Fix / Swivel & Swivel with Brake.**





[www.rkicastors.com](http://www.rkicastors.com)